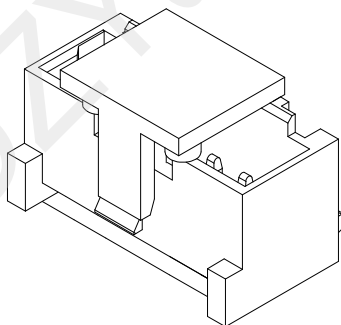


PCB LAYOUT



SPECIFICATIONS

- 1、Current Rating: 3A AC, DC
- 2、Voltage Rating: 350V AC, DC
- 3、Temperatuer Range: -25°C~+105°C
- 4、Contact Resistance: 20mΩ Max
- 5、Insulation Resistance: 1000MΩ Min
- 6、Withstanding Voltang: 500V AC/minute
- 7、Material

Wafer: LCP UL94V-0
PIN: C2680 Tin-plated

PIN	尺寸 (mm)		
	A	B	C
02	1.50	4.30	3.35
03	3.00	5.80	4.85
04	4.50	7.30	6.35
05	6.00	8.80	7.85
06	7.50	10.30	9.35
07	9.00	11.80	10.85
08	10.50	13.30	12.35
09	12.00	14.80	13.85
10	13.50	16.30	15.35
11	15.00	17.80	16.85
12	16.50	19.30	18.35
13	18.00	20.80	19.85
14	19.50	22.30	21.35
15	21.00	23.80	22.85

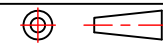


深圳市华宇创精密电子有限公司

TOLERANCE:

X.X ±0.30
X.XX ±0.25
X.XXX ±0.15

X' ±2' X.X' ±0.5'



UNIT: mm [inch]

SCALE:1:1 SIZE: A4

DRAWN BY :

陈一鸣

DATE :

2014-02-23

PART NAME:

MX1.5 立贴带扣

CHECKED BY:

马跃

DATE :

2014-02-23

PART NO.

HYC296-LFN-150

MOLD NO.

APPROVED BY:

邱敏

DATE :

2014-02-23

DRAW NO:

HYC-2606241207

SHEET NO.

1 OF 1